

9VX

IHI

COMPACT EXCAVATOR SALES LLC

400 Production Court
Elizabethtown, KY 42701
Phone: 800.538.1447 Fax: 270.737.0419
www.ihices.com



Wide Spanner



Spanner function (27.5" ↔ 37.5") has been equipped as standard. The wide span allows improved stability while allowing entry into tight spaces.



Bucket cylinder hose is placed inside of arm.

Improves forward visibility and helps prevent damage to the hose.



Full-opening engine cover is pressed steel and very rugged.

Pressed steel engine cover for easy repair.



The radiator is made aluminum and corrosion resistance.

Plastic fuel tank and aluminum radiator resist rusting.

Eco-friendliness and Safety

- Conform to the EC low noise regulation.
- Equipped with automatic swing parking brake as standard.

Easy Operation

- Improved stability with Wide Spanner. (27.5" ↔ 37.5")
- Top class tail swing radius of 19".
- One-point lifting for easy loading on truck.
- Only 4'9" diameter for full rotation. (At 90° right swing)

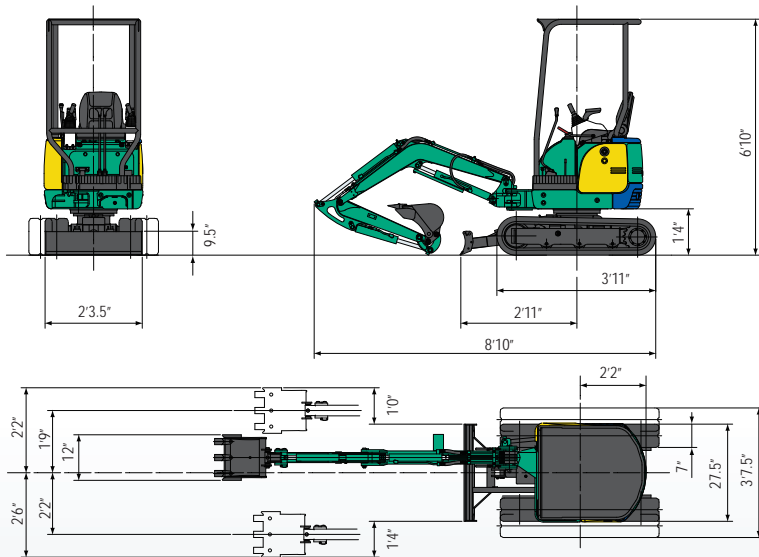
Easy Maintenance

- Plastic fuel tank prevents rusting.
- Aluminum radiator resists rusting.
- Segmented boom cylinder hose for easier replacement.
- Full-opening engine cover for easy maintenance.

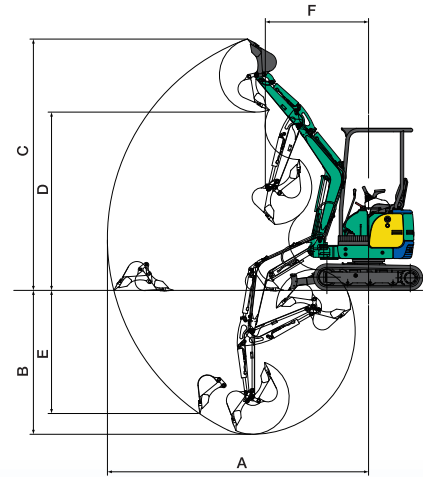
Rugged Body

- Rubber shoe that not only offers superior durability but also high ground-gripping power.
- Full-opening engine cover is pressed steel and very rugged.
- Equipped with rugged dozer blade.
- Bucket cylinder hoses are placed inside the arm.

■ Dimensions



■ Working Range



A	Max. digging radius	9'9"
B	Max. digging depth	5'2"
C	Max. digging height	9'0"
D	Max. dumping height	6'6"
E	Max. vertical digging depth	3'10"
F	Min. front turning radius	4'0"
	At right boom swing	3'1"



9VX

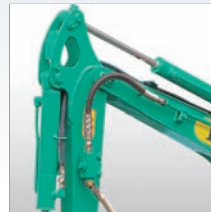
Mini Excavator

Standard Bucket Capacity: ISO .8 cu. ft.

**27.5"-37.5" Variable Width,
Smooth Operation, Easy Maintenance.**

■ 9VX Specifications

Model	9VX
• Performance	
Bucket capacity	.8 cu. ft.
Bucket width	12"
Operating weight	2060 lbs
Transportation weight	1885 lbs
Swing speed	8.7 mph
Travel speed (low/high)	1.1/2.2 mph
Gradeability	30°
Ground pressure	3.8 psi
Max.bucket digging force	2360 lbs
• Engine	
Model	YANMAR 2TNV70
Rated output	10 hp/2400 rpm
Fuel tank capacity	2.2 gal
• Boom swing system	
Type	Boom offset with hydraulic cylinder
Swing angle (L/R)	50° / 90°
• Hydraulic system	
Pressure	2350 psi
Pump hydraulic flow	2.93 gal/min x2
	Gear
	5.85 gal
• Dozer blade	
Size	27.5" x 11"
Lift above ground / Drop below ground	9" / 8"



Auxiliary Hydraulic Pipig



Gate lock lever



Additional Dozer Blade

■ Options

• Bucket
8"
12"
16"
18"